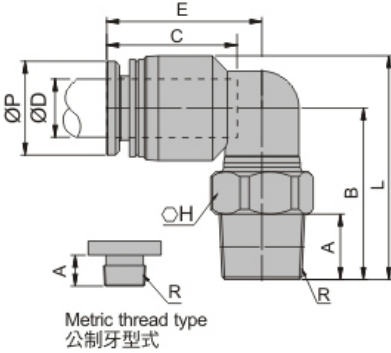


# 標準接頭 (黑) Tube Fitting (Black)

**PL** 彎頭型 Elbow

\$P01 3D CAD 2D CAD 單位(Unit): m/m



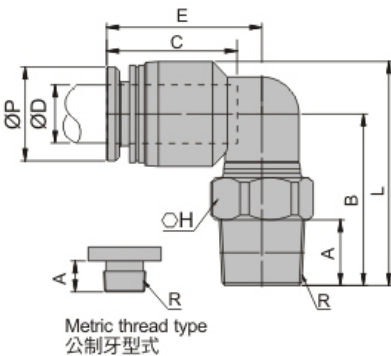
Model 型式	Tube dia. 管外徑	A	B	L	ØP	C	E	H	R	Mass(g) 重量	Orifice 流量孔徑
PL4-M3	4	3	13.6	17	8	13.7	15.5	8	M3X0.5	3	1.1
PL4-M5		4	13.3	17		13.7	15.5	8	M5X0.8	3.2	2
PL4-M6		4	16.2	20.5		13.7	15.5	10	M6X1.0	4.6	2.5
PL4-01		9.6	20	24		13.7	15.5	10	PT1/8	6.4	4
PL4-02		7	17.2	21		13.7	15.5	14	PT1/4	15.2	4
PL6-M5	6	4	14.1	19	10	13.8	16.2	8	M5X0.8	4	2
PL6-M6		4	15.7	20.6		13.8	16.5	10	M6X1.0	5.4	2.5
PL6-01		7	18.3	23		13.9	16.5	10	PT1/8	7.4	4
PL6-02		9.4	21.1	26		14	15.7	14	PT1/4	16.2	4
PL6-03		9.8	21.2	26		14	16.1	17	PT3/8	19.6	4
PL8-01	8	7	21.5	28	13.6	20.2	22.6	10	PT1/8	9.8	5.4
PL8-02		9.5	22	28.5		20	22.5	14	PT1/4	16	5.4
PL8-03		9.3	22.3	29		20.1	22.5	17	PT3/8	20.6	5.4
PL8-04		11.8	25.2	31.5		20.1	22.3	21	PT1/2	33.8	5.4
PL10-01	10	6.9	23	31	16.7	24.3	27.7	10	PT1/8	17	5
PL10-02		9.6	25.2	33		24.1	27.6	14	PT1/4	18.4	5
PL10-03		9.4	24.9	33		24.2	27.6	17	PT3/8	23.6	5
PL10-04		12	27	35		24.3	27.5	21	PT1/2	34.8	5
PL12-02	12	12	23.2	32.5	19.6	24.7	28.2	14	PT1/4	21.4	5
PL12-03		9.6	26.6	35		24.9	28.9	17	PT3/8	26.6	8
PL12-04		9.6	26	35		25	28.8	21	PT1/2	37.8	8

價格區  
標準接頭  
調速接頭  
金屬調速  
逆止閥  
關斷型接頭  
配管模組  
手動閥  
銅鋼接頭

15

**PL**  
**NI** 彎頭型 Elbow

\$P01 3D CAD 2D CAD 單位(Unit): m/m



Model 型式	Tube dia. 管外徑	A	B	L	ØP	C	E	H	R	Mass(g) 重量	Orifice 流量孔徑
PL3-M3-NI	3	3	15.2	19.5	7	12.7	15	8	M3X0.5	3.8	1.1
PL3-M5-NI		3.2	13.3	17.2		8	14.5	8	M5X0.8	3.8	2
PL3-M6-NI		4	16.2	20.5		12.7	15	10	M6X1.0	5.6	2
PL4-M3-NI	4	3.5	13.6	17	8	13.6	15	8	M3X0.5	3.9	1.1
PL4-M5-NI		4	13.3	17		13.6	15	8	M5X0.8	4.1	2
PL4-M6-NI		4	16.2	20.5		13.6	15	10	M6X1.0	5	2.5
PL4-01-NI		9.6	20	24		13.6	15	10	PT1/8	7.3	4
PL4-02-NI	7	17.2	21	13.6	15	14	PT1/4	16.1	4		
PL6-M5-NI	6	4	14.1	19	10	13.7	15.7	8	M5X0.8	4.8	2
PL6-M6-NI		6.8	15.7	20.6		13.7	15.6	10	M6X1.0	6.2	2.5
PL6-01-NI		7	18.3	23		13.7	15.6	10	PT1/8	8.2	4
PL6-02-NI		9.4	21.1	26		13.9	15.2	14	PT1/4	17	4
PL6-03-NI	9.8	21.2	26	13.9	15.6	17	PT3/8	20.4	4		
PL8-01-NI	8	7	21.5	28	13.6	20.1	22.1	10	PT1/8	12.1	5.4
PL8-02-NI		9.5	22	28.5		19.9	22	14	PT1/4	18.3	5.4
PL8-03-NI		9.3	22.3	29		20	22	17	PT3/8	22.9	5.4
PL8-04-NI		11.8	25.2	31.5		20	21.8	21	PT1/2	36.1	5.4
PL10-01-NI	10	6.9	23	31	16.7	24.2	27.2	10	PT1/8	20.8	5
PL10-02-NI		9.6	25.2	33		24	27.1	14	PT1/4	22.2	5
PL10-03-NI		9.4	24.9	33		24.1	27.1	17	PT3/8	27.4	5
PL10-04-NI		12	27	35		24.2	27	21	PT1/2	38.6	5
PL12-02-NI	12	12	23.2	32.5	19.6	24.6	27.7	14	PT1/4	28.8	5
PL12-03-NI		9.6	26.6	35		24.8	28.4	17	PT3/8	34	8
PL12-04-NI		9.6	26	35		24.9	28.3	21	PT1/2	45.2	8
PL16-03-NI	16	9.6	30.8	43.5	23	22.8	31.6	21	PT3/8	41.4	11.7
PL16-04-NI		12	30.5	43.2		22.8	31.6	21	PT1/2	46.6	11.7

介紹區  
標準接頭  
調速接頭  
金屬調速  
逆止閥  
關斷型接頭  
手動閥  
配管模組  
銅鋼接頭

備註 Note NI: 金屬脫離環      NI: Release Ring (Metallic Body)